



# Online Electronics

## Achieving the Peak of EM Detection

Gavin Duncan – R&D Manager

# Agenda

- Challenge
- Background
- Project Requirements
- Test Set up
- Testing & Results
- Discussion
- Recommendations



# The Challenge – EM Tx Performance

## Performance figures are NOT comparable

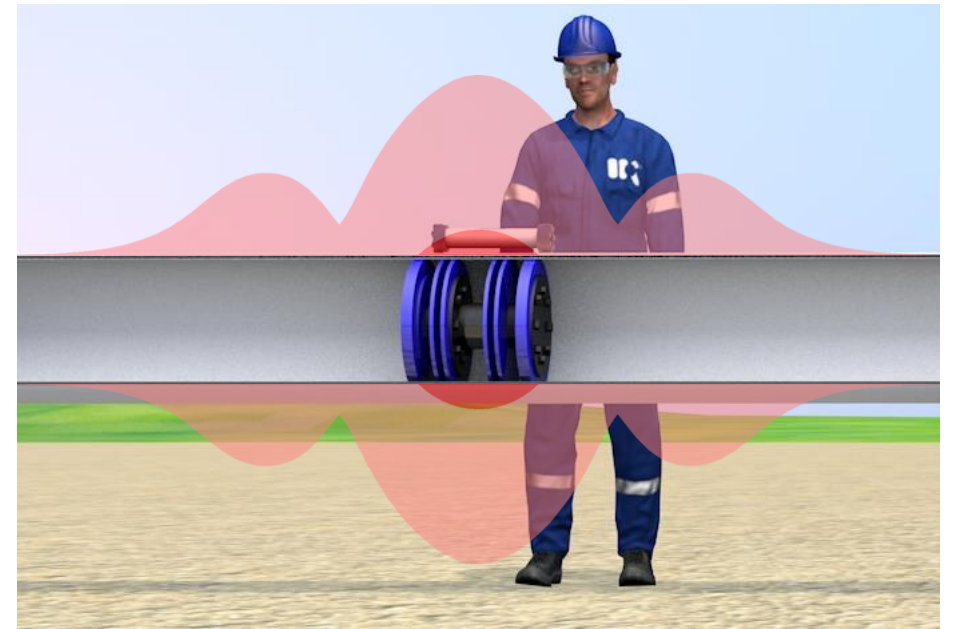
- Signal voltage @ 1m with ref antenna
- Distance in Air EM can be detected
- EM Power
- ETC



**Client comparing Apples with Oranges?????**

# Question?

“Is there any logic in specifying an EM transmitter’s performance by distance through air?”



# Background - EM Transmitter

- Frequencies 10Hz to 30Hz
- Suitable for Pipe Sizes 6" to 48" up to ~40mm WT
- Self-Regulation to ensure the signal strength is constant over the battery lifetime
- Client Configurable using Bluetooth®
- Endcap activation options
- Enhanced reliability
- Tested for 20G shock and extended periods of vibration
- ATEX certification for IIC gas group inc Hydrogen



EMTx range



# Background - EMRx Receiver

- Multifrequency EM receiver.
  - 3 configurable LED bargraphs
    - Displays 3 received signals
    - Frequencies between 10Hz and 30Hz
  - Modern Digital Signal Processing (DSP)
    - Enhanced sensitivity and noise immunity
  - Bluetooth link
    - RS485 for subsea version
    - Windows & Android apps
    - Advanced functionality
  - Magnetic Sensor
- 
- ATEX IECEx certified (Launched this week)

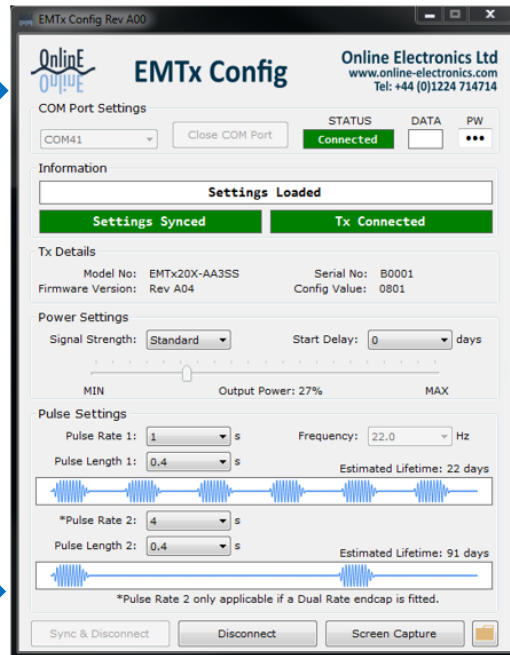


EMRx Ex receiver

# Electromagnetic (EM) Pig Tracking System



17Hz  
5 second Pulse Rate  
EM Transmitter



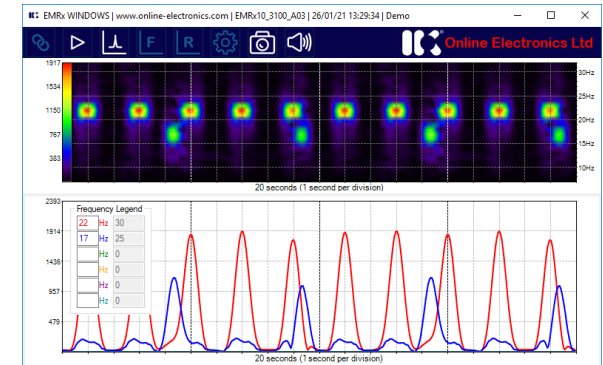
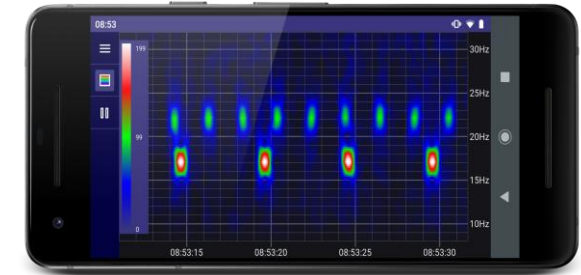
22Hz  
2 second Pulse Rate  
EM Transmitter

EM Signal



Standalone  
EM Receiver

Bluetooth

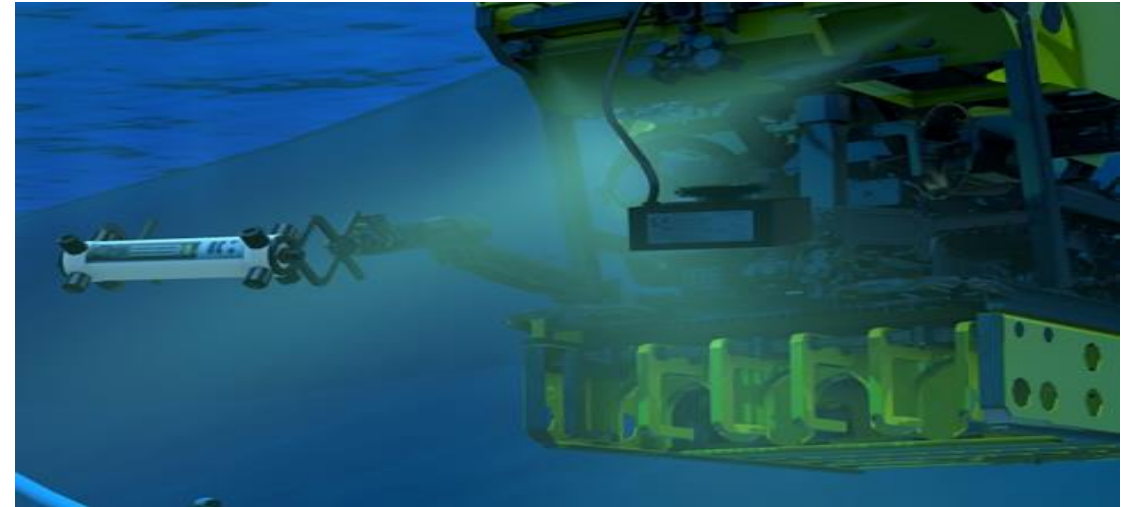


EM Receiver applications  
(optional)



# Project Requirements

- Subsea Pre-commissioning
- 16" and 20" pipelines
- ROV Operations
- EMRx Subsea
- Confirm Detection Envelope



Pipe Size	Wall Thickness
16" (406.4mm)	20.62mm
16" (406.4mm)	30.17mm
20" (508mm)	23.83mm
20" (508mm)	36.44mm

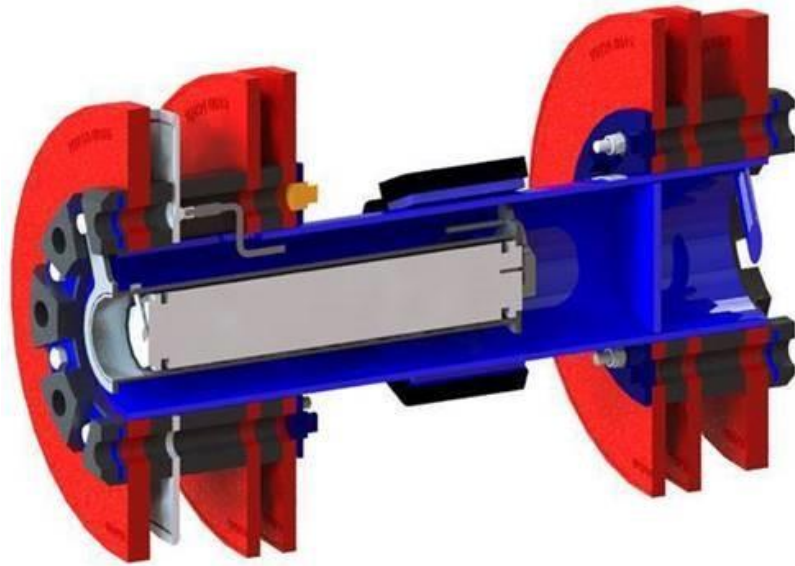


EMRx Subsea



# Test Set Up

- Pipe: 608mm OD, 35mm WT, 10.5m long
- Transmitter: 3015X
- Receiver: EMRx 10
- Mounted on Wheeled platform “Skateboard”
- Pig configuration



3D model of test pig

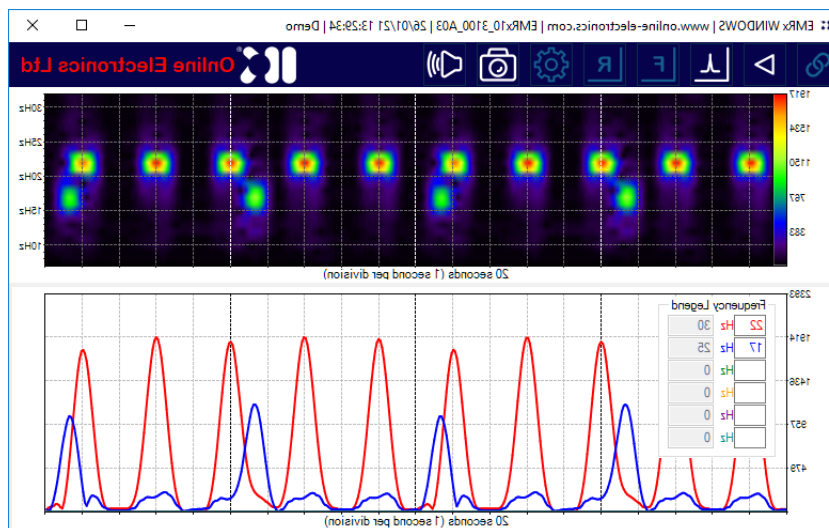


# Testing & Results

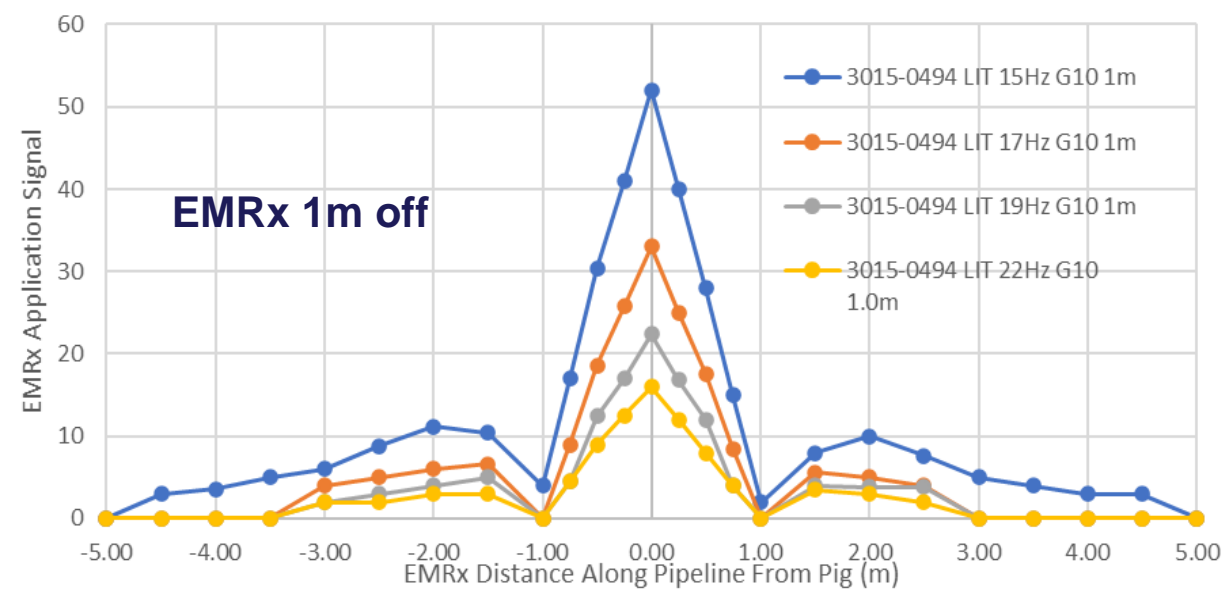
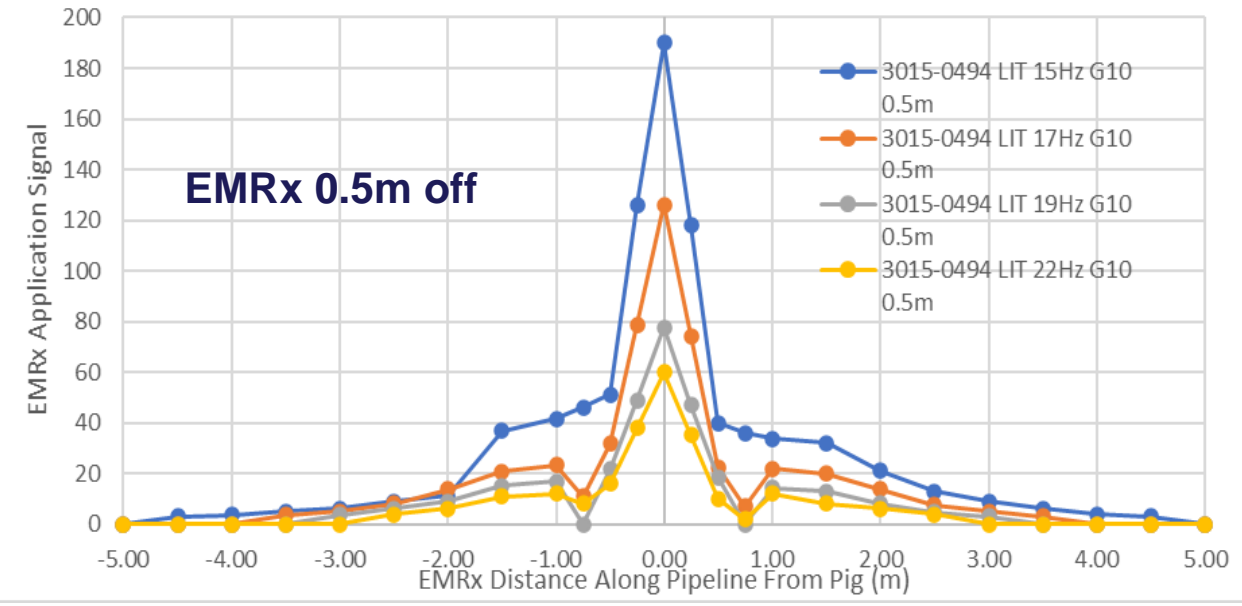
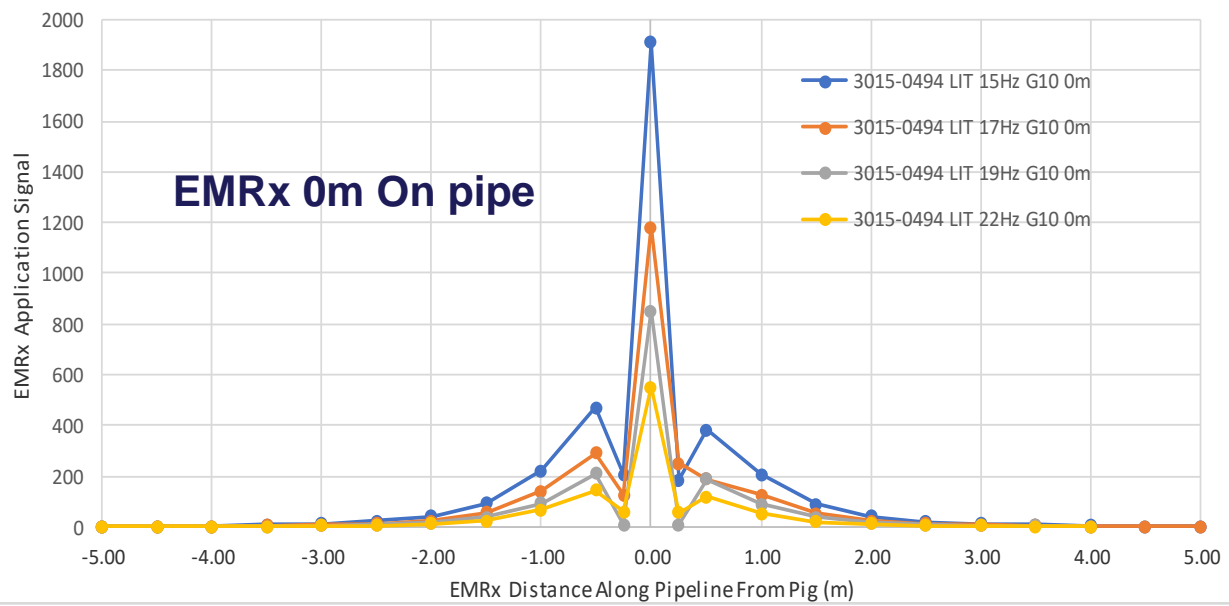
- EM Tx set to 4 different frequencies: 15Hz, 17Hz, 19Hz, 22Hz.
- ROV Cradle various configurations
- Magnets 4 positions
- Break Wire Gauge Plate (BWGP) various configurations



EMRx positioned 1m from pipe centre

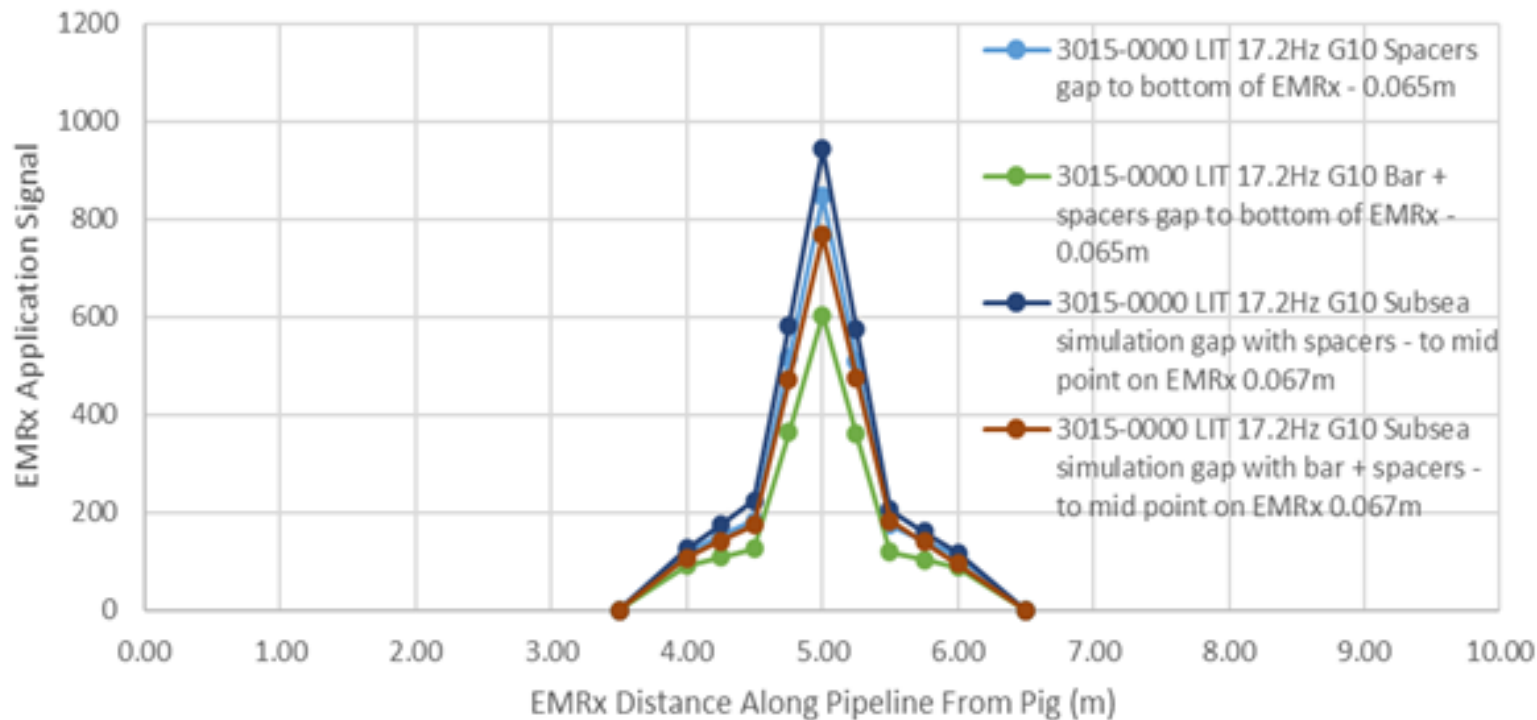


# 4 different frequencies: 15Hz, 17Hz, 19Hz, 22Hz



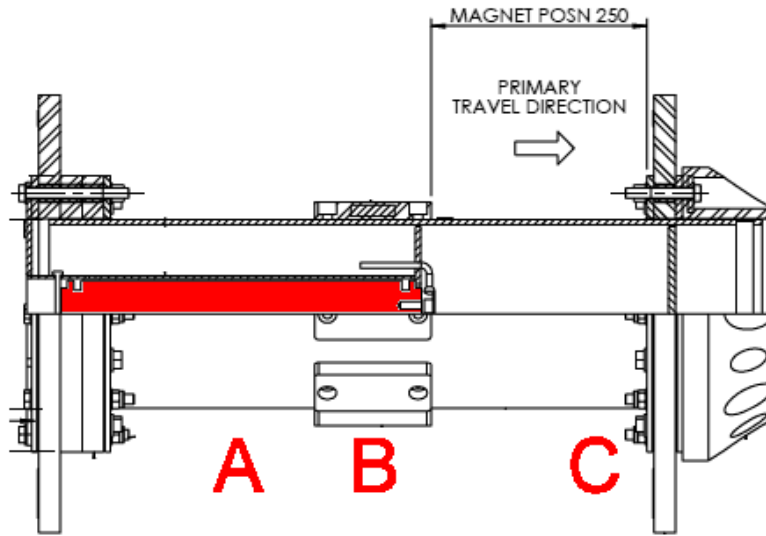
- Received Signal increases approx 50% for each Frequency step down
- Same for all distances from the pipe

# ROV Cradle Testing



- ROV Cradle – sizeable impact
- Separation Increase of 65mm – less 30%
- Add carbon steel plate – less 30%
- Minimise separation and remove all material below EMRx

# Magnet Testing



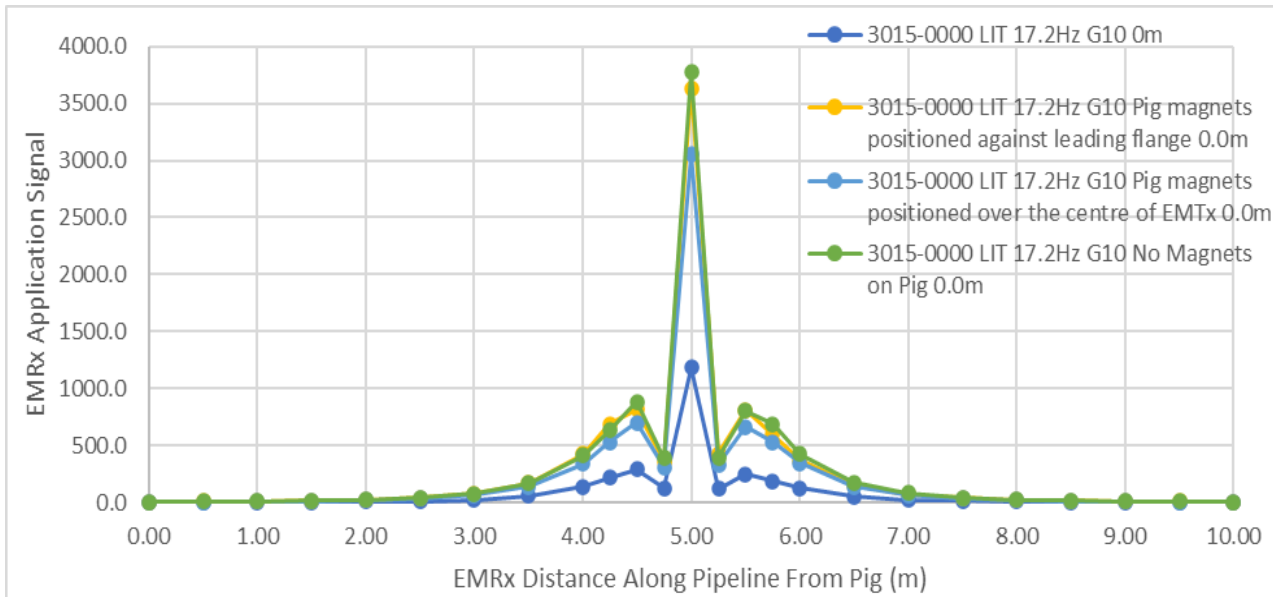
Magnets have a considerable effect on the signal strength of the EMTx.

A. Signal strength improved drastically

B. Weakest signal strength

C. Slight improvement over A

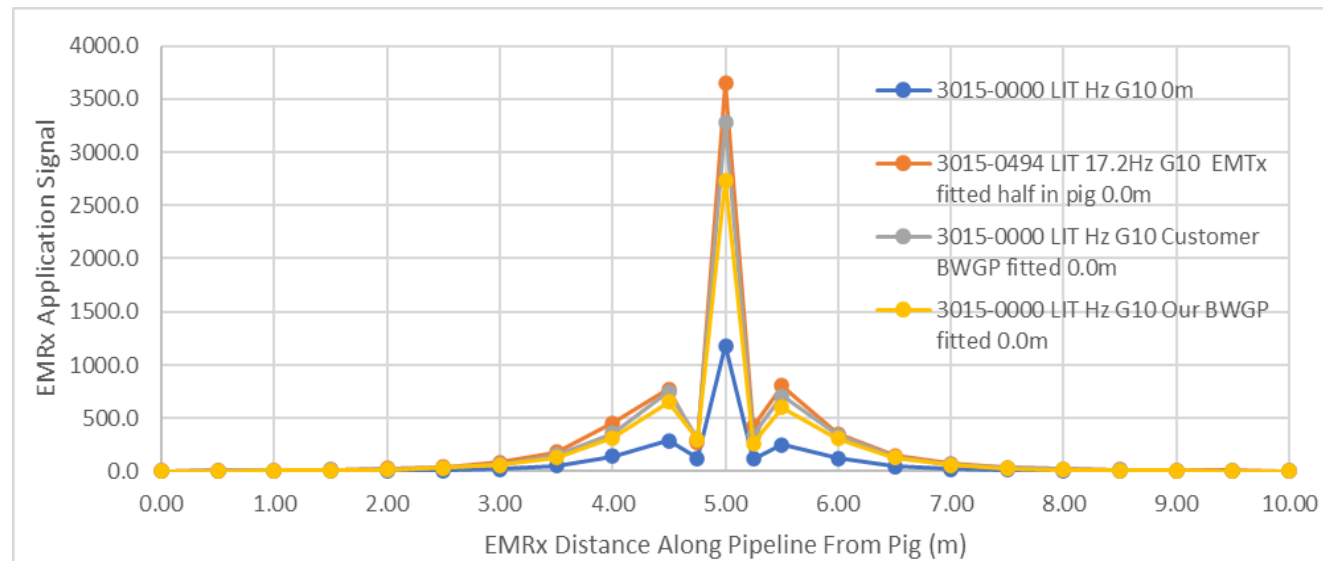
D. Small increase over C with NO magnets



# BWGP Testing



- 50% of the EMTx protruding from the pig body.
- 6mm Aluminium BWGP – 10% less signal
- 8mm Aluminium BWGP – 25% less signal



# Detection Envelope

## Step size too big

If step size is larger than the detectable envelope width, you can miss the pig entirely.

## Step size too small

If step size is too small, will not miss the pig but taking more steps and time (£) than necessary.

## Optimum step size

If step size is approximately 50% of detectable envelope width, then cannot miss the pig.

Separation from pipe surface (m)	Frequency (Hz)	Maximum Detectable width (m)	Maximum Step Size (m)
0.0m	15Hz	6.0m	3.0m
	17Hz	5.0m	2.5m
	19Hz	5.0m	2.5m
	22Hz	4.0m	2.0m
0.5m	15Hz	4.5m	2.25m
	17Hz	4.0m	2.0m
	19Hz	3.5m	1.75m
	22Hz	2.5m	1.25m
1.0m	15Hz	2.0m	1.0m
	17Hz	1.0m	0.5m
	19Hz	1.0m	0.5m
	22Hz	1.0m	0.5m

# Discussion

## Changing Frequencies

- Reducing the frequency provides significant improvement.
- Proves standard 22Hz is not always the best frequency to use.
- The lower frequencies better for this pig & pipe combination. Due to the 35mm pipe, stainless EMTx housing and a carbon steel pig body.

## Cradle Testing

- Reducing the distance and removing any metal from below the EMRx can provide a significant improvement.
- Optimal designed ROV cradles used to achieve these improvements.

## Magnets

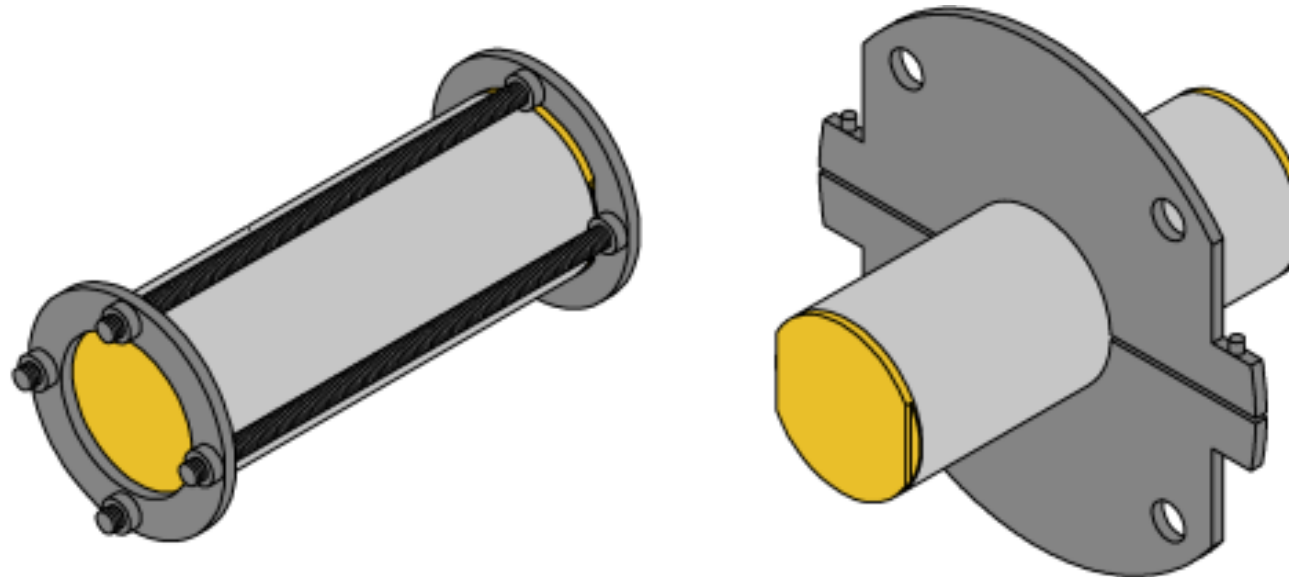
- Moving the magnets to the best position has a considerable effect on the signal strength of the EMTx.



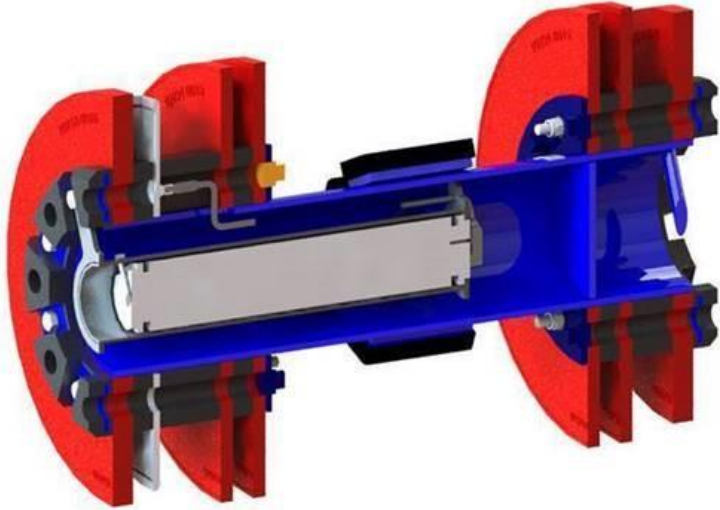
# Discussion

## EM Tx Housing

- The transmitter is mounted inside a housing within the pig.
- This housing is a stainless steel tube which attenuates the EM signal.
- Some pigs have this housing made from carbon steel has far more attenuation.
- Ideally it is better to have this housing made from stainless steel or better still be open mounted, slotted or best of all made from a composite EM transparent material.



# Recommendations – pig design



Tx pig body

Pig body:

Magnets:

Break Wire Gauge Plate:

EM transmitter housing:

Subsea ROV cradle:

**OPTIMUM SOLUTION:**

Stainless Steel or EM transparent

Positioned away from EMTx or around its centre

Optimise position & thin as practicable

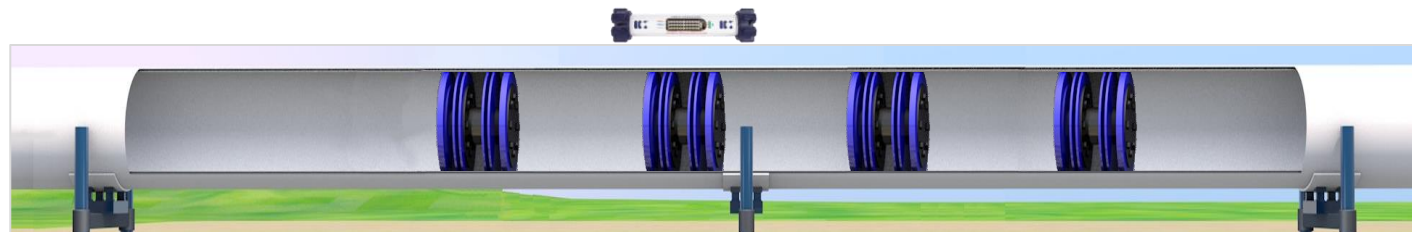
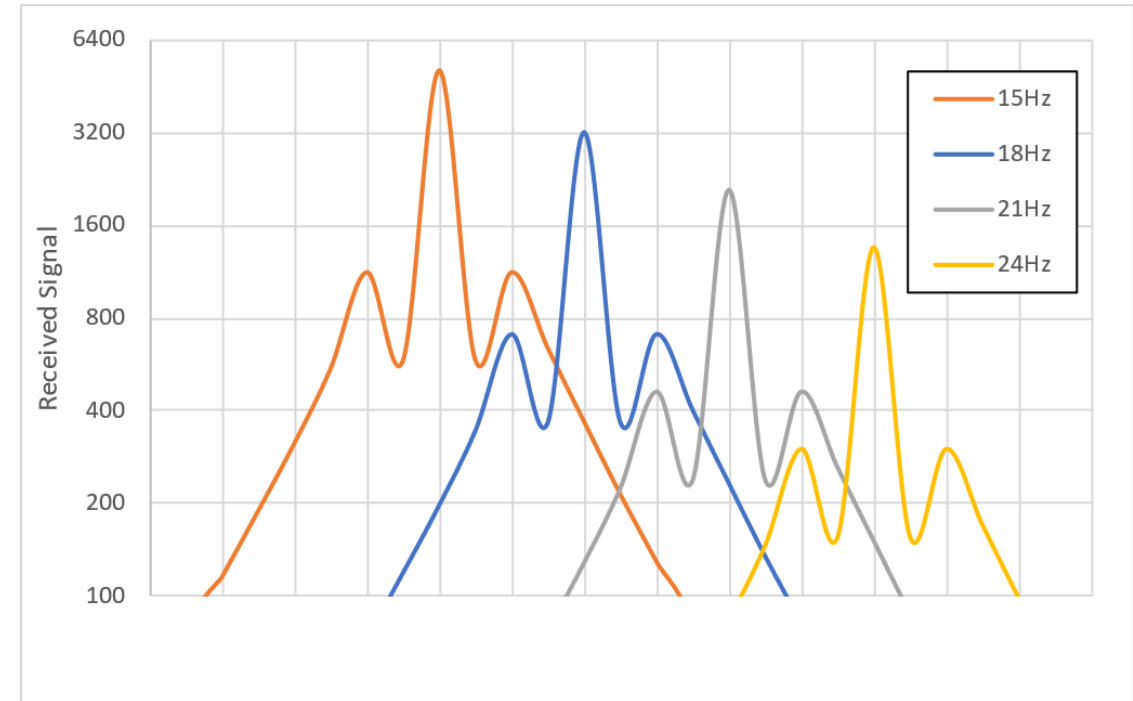
If not EM transparent then slotted or clamps

EMTx as close to pipe as possible with no steel between

Transmitter can be adapted to become the pig body by fitting suitable pig discs

# Optimal Frequency

- 22Hz is **NOT** the optimal frequency for all pig detection applications
- Pipeline Variations
  - Material
  - Dimensions: OD & WT
- Many different types of pig
  - Materials
  - Configuration / Design / Size
- Operational Challenges
  - Battery Life v Power Level
  - Low flow very long runs
  - Thick Walled / Low Flow Launchers/Receivers



# To Achieve the Peak of EM pig Detection

- Test the EM transmitter in as close to the actual application configuration “real life testing”, pig & pipe, as practicably possible
- Analyse the results and review the design of the pig and specification and configuration of the EM Tx
- With a few simple modifications you will be far closer to achieving the peak of EM pig detection

# Answer

“Is there any logic in specifying an EM transmitter’s performance by distance through air?”

**Absolutely NOT!**

# QUESTIONS





**Thank you for your attention**  
**[gavin.duncan@ik-worldwide.com](mailto:gavin.duncan@ik-worldwide.com)**

[ik-worldwide.com](http://ik-worldwide.com)

